

# TOEUNGEOT



廣州標致汽車公司，是中法合資企業，引進先進技術，實行科學管理，生產完全符合法國標致質量標準，適應中國國內環境的新一代汽車。

廣州標致504以精巧的設計，突破舊日貨車的格調，泛出時代新意，誠為人見人愛的城鄉運輸輕型貨車。

裝置強勁有力2000c.c.發動機的標致504，滿載貨物，亦能輕快地在山區鄉間簡陋的道路上疾駛。堅固耐用、容易維修及經濟省油的秉性更令選用者信心倍增。

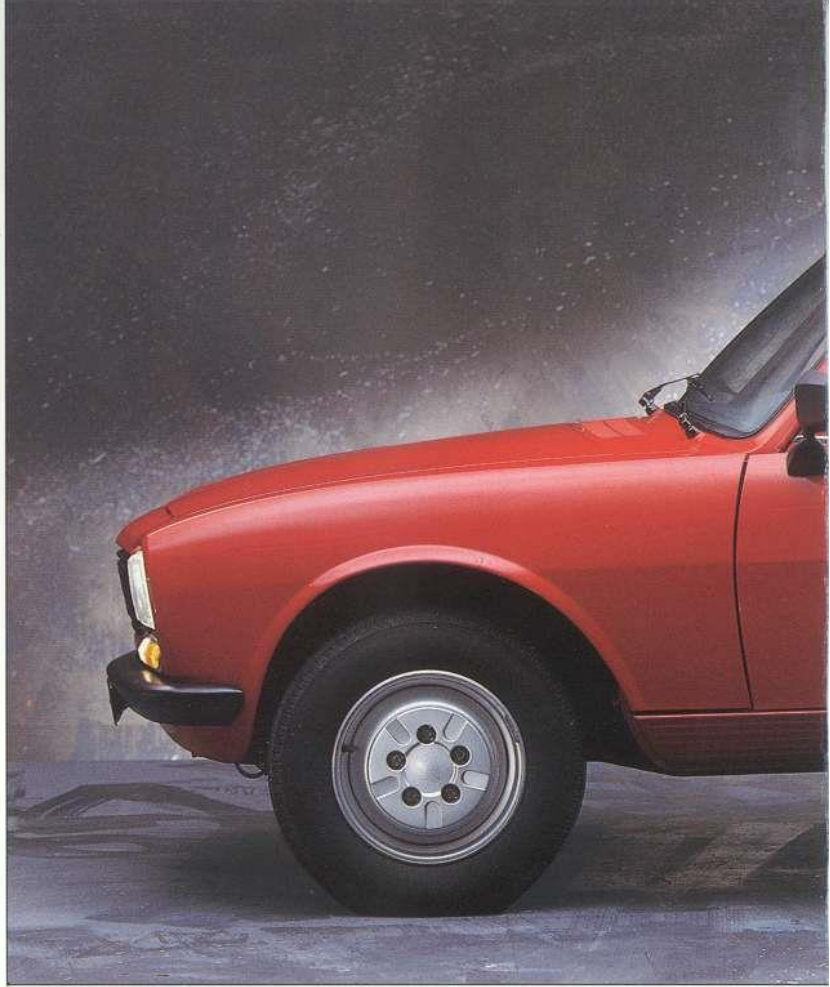
駕駛室設計處處為駕駛者着想，座位寬敞舒適，清涼的空調伴和幽雅的音響，把握輕巧靈活的操縱設備，化緊張辛勞為輕鬆愉快，是貨車司機難得的享受。

This recent model of the 504 Pick-Up series follows in the tried and proven tradition of its predecessors in combining great strength and reliability with unusual good looks. Powered by a vigorous 2 litre engine the 504 Pick-Up delivers outstanding performance when carrying even the heaviest of loads.

The uncompromising strength and power combined with an exceptional load carrying capacity, and ease of loading, make the 504 Pick-Up a truly versatile vehicle which is equally at home in both town and country.

In building the 504 Pick-Up the essentials of maintenance and repair have received Peugeot's closest attention, and these tasks are greatly simplified by the intelligent construction and layout of this rugged vehicle.

Whilst designed to withstand constant wear and tear, the driver's compartment is also tailored for comfort and convenience, mile after mile, year after year. Relaxed driving and easy to read instruments are essential features of the 504 Pick-Up. As a long term investment in strength and reliability the 504 Pick-Up is unbeatable.



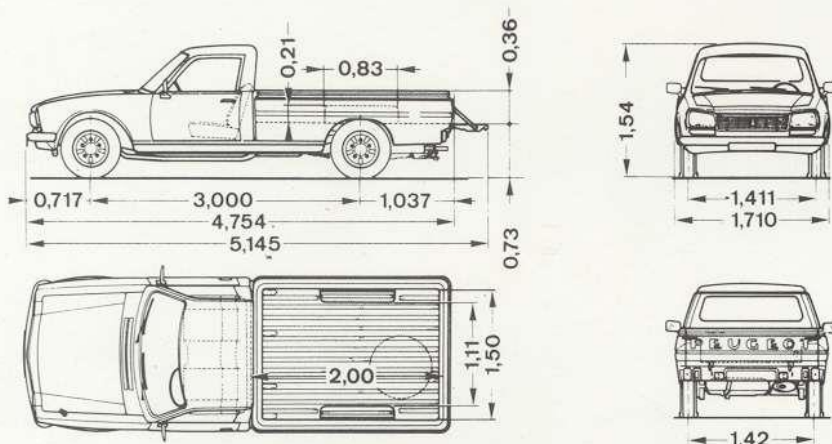
1. 駕駛室 Front seats 2. 貨車



表盤 Dashboard 3. 越野型 504 Dangel 4x4 4. 車廂 Loading bed 5. 車輪 Road wheel

## TECHNICAL CHARACTERISTICS &amp; EQUIPMENT 技術參數及設備 504 PU

ENGINE(PETROL)	(汽油)發動機	
Type & Number of cylinders	型號和缸數	XN1-A 4cyl. 4缸
Displacement	排量	1971c.c.
Bore & Stroke	缸徑和沖程	88×81
Maximum Output at RPM : Kw/(r/min)	最大輸出功率(千瓦/轉/分)	70 at 5500
Maximum Torque at RPM : Nm/(r/min)	最大扭矩(牛頓米/轉/分)	160 at 3000
Compression Ratio	壓縮比	8/1
Automatic Choke	自動阻風門	YES有
TRANSMISSION: REAR WHEEL DRIVE	傳動系: 後輪驅動	
Manual Gearbox: number of speeds	手動變速箱: 檔數	4
Limited Slip Differential	限滑式差速器	YES有
Rear Fixed Axle	固定後橋	YES有
STEERING	轉向系	
Rack & Pinion	齒輪-齒輪機構	YES有
Diameter of Turning Circle	轉彎直徑	12m
SUSPENSION	懸掛	
Front Independent Mcpherson Type	前: 獨式獨立懸掛	YES有
Rear Fixed Axle, with Leaf Springs	後: 整體後橋, 葉片彈簧	YES有
TYRES	輪胎	
Radial Type: Size	子午線胎: 規格	185R15
BRAKES: POWER ASSISTED	助力制動	YES有
Front: Discs	前制動: 盤式	YES有
Rear Drums	後制動: 鼓式	YES有
ELECTRICAL	電氣設備	
Battery:	蓄電池: 12伏/60安時	12V 60Ah
Alternator	交流發電機: 瓦	750W
DIMENSIONS	尺寸	
Overall Length	總長	4.754m
Overall Width	總寬	1.710m
Wheel Base	軸距	3.000m
Front Track	前輪距	1.411m
Rear Track	後輪距	1.420m
Usable Load-Floor Length	貨箱地板有效長度	2.000m
Usable Load-Floor Width (MAX)	貨箱地板有效寬度(最大)	1.500m
SEATING CAPACITY	座位數	2P
WEIGHT	重量	
Kerb Weight	自重	1240kg
Maximum Pay Load (including passengers)	最大載重量(包括乘客)	1275kg
CAPACITIES	容量	
Crank-case oil sump	曲軸箱油底壳	4 L
Fuel Tank	油箱	64L
PERFORMANCES	性能	
Maximum Speed (without canopy)	最大車速(不帶篷)	140km/h
Maximum Gradient	最大爬坡度	25%
STANDARD EQUIPMENT	標準設備	
Electronic Clock	電子鐘	YES有
Trip Mileage Recorder	計程器	YES有
Day/Night Rear View Mirror	晝夜後視鏡	YES有
Air Conditioning	空調	YES有
Hi-Fi Radio	收放機	YES有
Upholstery	內飾	VINYL 塑料
Floor Covering	地板蒙皮	RUBBER 橡膠
OPTIONAL EQUIPMENT	選裝設備	
Canvas Top (Canopy)	車篷	YES有



地址: 廣州 黃埔 橫沙 電話: (86-20)279346 電掛: 6227 電傳: 44719 GPAC CN 傳真: (86-20)347484

Address: Hengsha, Huangpu, Guangzhou Tel: (86-20)279346 Cable: 6227 Telex: 44719 GPAC CN Fax: (86-20)347484